

GoPool IL15

IL-Series Owner's Manual



Scan to register your
product warranty

GoPool

Warranty registration

Thank you for choosing GoPool! Register your product today to activate your warranty and get quick, hassle-free support when you need it.



Scan to register your product warranty



WARNING

This equipment must be installed and serviced according to the information found in this manual. Improper installation can create hazards which could result in property damage, serious injury or death. Improper installation will void the warranty.

Table of contents

Installation.....	1
Operation	2
Structure and Parts	6

INSTRUCTION OF MINI LIGHT 1.5 INCH

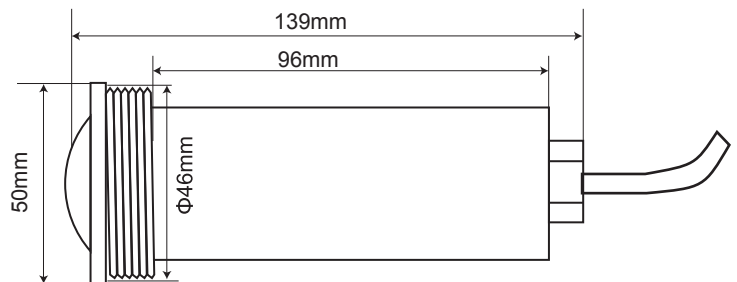
Please read the following carefully and keep this user manual save for future reference.

Ref.	Power	Lumens	Voltage	LED	
				Type	Quantity
IL15-GP-12RGBW	12W	500lm	AC 12V	SMD3535	3
IL15-PT-12RGBW	12W	500lm	AC 12V	SMD3535	3
IL15-HW-12RGBW	12W	500lm	AC 12V	SMD3535	3

INSTALLATION

Compatible with 1.5 inch outlet

Size





Selecting colors

To select a color show mode (1-7) or static color (8-12), turn the wall switch OFF/ON a specific number of times. Each number (1-12) shown above corresponds to the number of times to power-cycle the switch to activate a color light show or static color.

Hold: Lock the current mode. (switch OFF/ON 13 times)

Return: Return to the previous locked mode. (switch OFF/ON 14 times)

Memorizing the color

When power is switched off (more than 5 seconds) to the RGB color lights, the last color show mode or fixed color will be saved.

CAUTION

01. Input voltage is AC12V. The lamps must be connected with transformer.
02. Before operating the light for more than 10 seconds fill pool until the light is completely submerged in water.

GoPool 12 Color Programs (For RGB or RGBW ON/OFF)

1	Butterfly Wings	Cycles through white, purple, blue and green colors
2	Galaxy Eye	The colors flashe quickly, full of energy
3	Rainbow Sky	Gradual change blue-purple-red-yellow-cyan-green-purple
4	Summer Dream	Blue and green appear alternately
5	France Romatic	Transition between red, white and blue
6	Desert Passion	Dramatic transitions of orange, red and purple
7	Mexico Night	Richer and deeper color changes between red-purple-yellow-green
8	Ocean Heart	Static Blue
9	Spring Green	Static Green
10	Cherry Kiss	Static Red
11	Noble White	Static White
12	Lavender Love	Static Purple
13	Hold Mode	Lock the current mode
14	Return Mode	Return to the previous locked mode

(Suitable for MC-15 control box)



H Mode

H Mode display 17 different programs; 10 fixed colors and 7 color-changing shows. These programs are advanced using power-cycling (quickly powering the lights on, then off, then back on). The programs are listed below:

H Mode Color Programs (For RGB or RGBW ON/OFF)

1	Show-Voodoo Lounge
2	Fixed-Deep Blue Sea
3	Fixed-Royal Blue
4	Fixed-Afternoon Skies
5	Fixed-Aqua Green
6	Fixed-Emerald
7	Fixed-Cloud White
8	Fixed-Warm Red
9	Fixed-Flamingo
10	Fixed-Vivid Violet
11	Fixed-Sangria
12	Show-Twilight
13	Show-Tranquility
14	Show-Gemstone
15	Show-USA
16	Show-Mardi Gras
17	Show-Cool Cabaret

Operating the Light

Setting brightness

How to change brightness:

1. Turn light on and wait 15 seconds for show/color to launch.
2. Turn off light for between 11-15 seconds, then turn on.
3. Turn off light for between 11-15 seconds, then turn on.
4. Turn off light for between 11-15 seconds, then turn on.
5. The light should blink once or twice indicating which brightness setting is in use.

Refer to the table below:

Mode	Indication
100%Brightness	single blinkred
50%Brightness	doubleblinkred

6. If you would like to change the setting, turn lights off and on 4 times quickly. The new brightness setting should be indicated.
7. When the desired brightness has been selected, remove power from the lights for at least one minute.
8. The light will restart with the desired brightness the next time it is turned on.



The light is controlled through power-cycling: a method of changing light programs which requires no special controller or interface. To activate the light, simply turn on the switch. To deactivate the light, turn off the switch. To advance to the next light program (fixed color or color show), turn the switch off, then back on within 10 seconds.

When the light has been OFF for over 60 seconds, and is first turned on, it will come on to white for 15 seconds for quick clear view of your pool, then go to the last fixed color or color show it was running.

Light Synchronization

If your pool or spa has multiple LED lights, they may be operated independently, or they can be easily synchronized so they will all display the same colors and shows at the same time. For light synchronization, all lights must be wired to the same switch. Once installed, all lights should be automatically synchronized, however, if they get out of sync, they can be re-synchronized easily.

To re-synchronize your lights, start with the lights off and follow the steps below :

1. Turn lights on.
2. Turn off light for between 11-15 seconds.
3. Turn lights on.



P Mode Color Programs (For RGB or RGBW ON/OFF)

1	P Mode	Cycles through white, magenta, blue and green colors.
2	Party Mode	Rapid color changing building energy and excitement.
3	Romance Mode	Slow color transitions creating a mesmerizing and calming effect.
4	Caribbean Mode	Transitions between a variety of blues and greens.
5	American Mode	Patriotic red, white and blue transition.
6	California Sunset Mode	Dramatic transitions of orange, red and magenta tones.
7	Royal Mode	Richer, deeper color tones.
8	Blue	Fixed color.
9	Green	Fixed color.
10	Red	Fixed color.
11	White	Fixed color.
12	Magenta	Fixed color.
13	Hold	Save the current color effect during a color light show.
14	Recall	Activate the last saved color effect.

Selecting colors

To select a color show mode (1-7) or static color (8-12), turn the wall switch OFF/ON a specific number of times. Each number (1-12) shown above corresponds to the number of times to power-cycle the switch to activate a color light show or static color.

Hold : Lock the current mode. (switch OFF/ON 13 times)

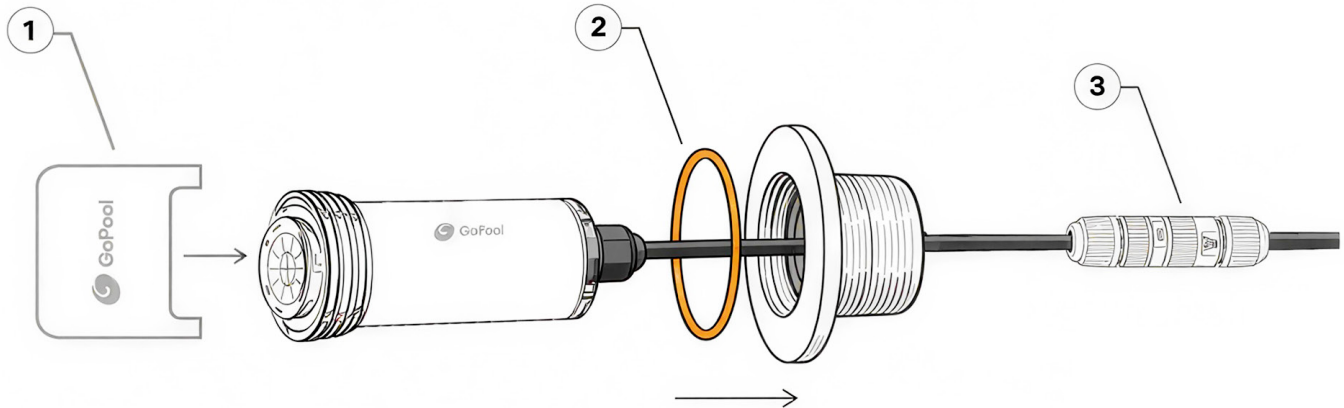
Return : Return to the previous locked mode. (switch OFF/ON 14 times)

Memorizing the color

When power is switched off (more than 5 seconds) to the RGB color lights, the last color show mode or fixed color will be saved.

CAUTION

01. Input voltage is AC12V. The lamps must be connected with transformer.
02. Before operating the light for more than 10 seconds fill pool until the light is completely submerged in water.



Ref. No.	Part No.	Description	Quantity
1	IL-TOOL	Tool	1
2	IL-GASKET	O-Ring	1
3	IL-UNICONN	Underwater Connector	1

Use only genuine GoPiscine replacement parts.

GoPool

Need parts or accessories ?
GoPool.com