

SkimmerLED

Owner's Manual



A-SKIM-RGBW-W | A-SKIM-RGBW-G



Scan to register your
product warranty

GoPool

Warranty registration

Thank you for choosing GoPool! Register your product today to activate your warranty and get quick, hassle-free support when you need it.



Scan to register your product warranty



WARNING

This equipment must be installed and serviced according to the information found in this manual. Improper installation can create hazards which could result in property damage, serious injury or death. Improper installation will void the warranty.

Table of contents

Important safety instructions	1
Installation.....	2
Storage and winterizing	4
Structure & Parts	5

Important safety instructions



⚠ Before installing this product, read and follow all warning notices and instructions accompanying this light. Failure to follow safety warnings and instructions can result in severe injury, death, or property damage.

⚠ Attention Installer

The manual contains important information about the installation, operation and safe use of this product. This information should be given to the owner or operator of this equipment.

When installing and using this electrical equipment, basic safety precautions should always be followed, including the following.

01. The LED light can be installed on the above ground swimming pools, but cannot be installed in any therapeutic pools, Massage Bathtubs, SPAs or hot tubs.

02. To reduce the risk of electric shock, if any cord becomes damaged, return the entire transformer assembly for repair or replacement.

03. The risk of electric shock. The light can only be connected to a grounding type circuit protected by Ground Fault Circuit Interrupter (GFCI). If you cannot verify that the receptacle or circuit is protected by a GFCI, please contact a licensed electrician. Do not use an extension cord.

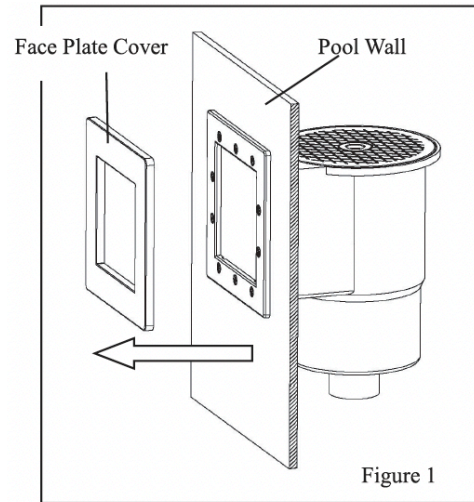
04. Locate your pool so that the wall is at least 10 feet from all electrical receptacles and at least 20 feet from all receptacles not protected by a GFCI. It is also very important to locate the pool so that it is not under any electrical wiring that is less than 18 feet vertically above the pool wall and within an area located 10 feet outside the pool walls. The pool must also never be located under any lighting fixture or within five (5) feet measured horizontally from any fixture mounted less than five (5) feet vertically above the pool water level.

05. In case the cord is damaged, please ask professional electric people to replace or ask the dealer to do it. Failure to follow this will have severe hurt or death.

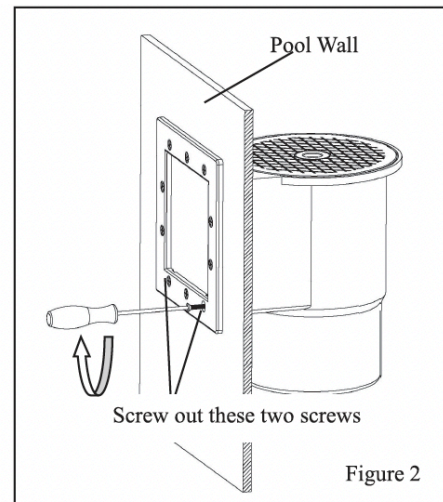
06. Do not unscrew the screws on the back of the LED light, so as to avoid water seepage or electric leakage.

⚠ Risk of electric shock. Disconnect power before servicing this unit. Failure to disconnect power can result in death or severe personal injury. **CONNECT ONLY TO A CIRCUIT PROTECTED BY A GFCI.** Failure to do so can result in serious personal injury and/or death.

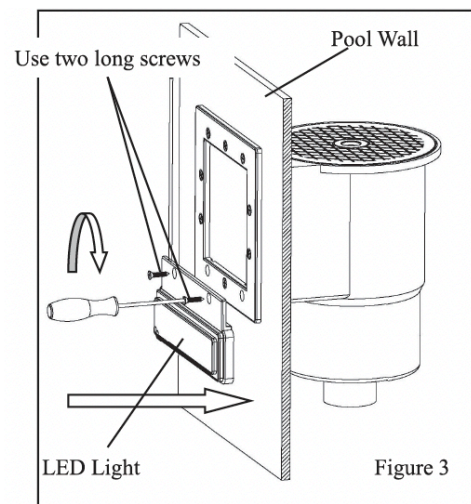
01. Remove the face plate cover of the thru-wall skimmer.
See figure 1. If don not have the face plate cover, please neglect this step.



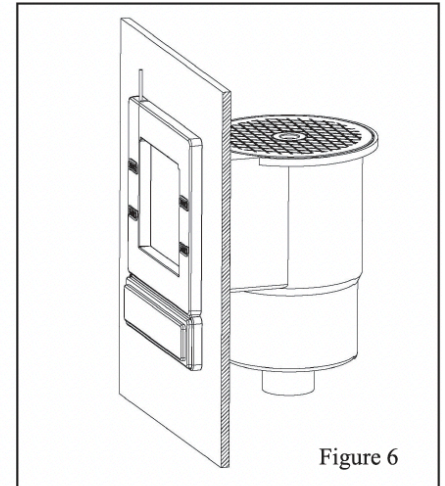
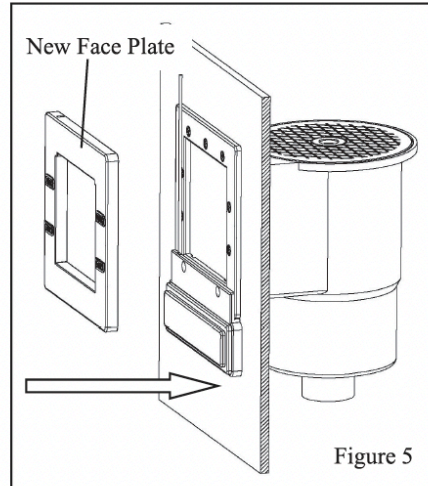
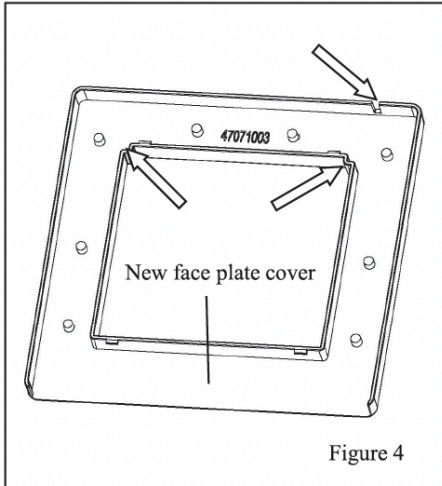
02. Screw out the two screws on the lower left corner and the lower right corner. **See figure 2.**



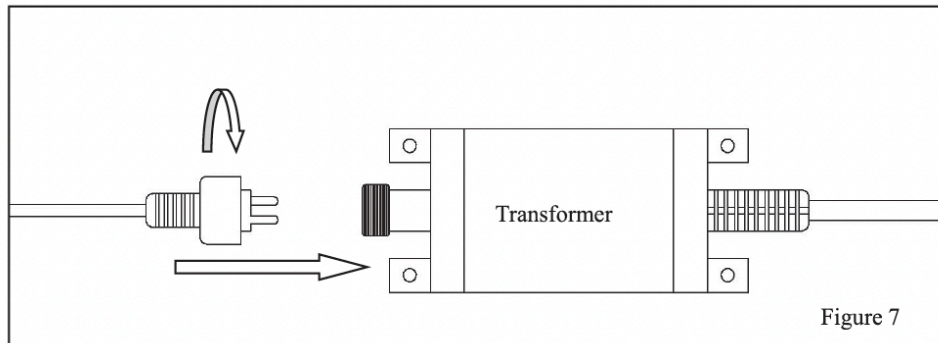
03. Mount the LED light on the face plate, and use two long screws to tighten. **See figure 3.**



04. Mount the new face plate cover on the face plate, and pull the cord out of the gap of the face plate cover before installation. There are three gaps can be chosen. **See figure 4, 5 and 6.**



05. Connect the cord to the transformer, and tighten the nut. **See figure 7.**



06. Mount the transformer on the vertical wall.

07. Plug the power cord's plug into a GFCI protected receptacle at least 10 feet from the pool.

08. Turn on the power, and the LED light will be bright.

REPLACING

When the LED light failed:

Turn off the power, disconnect the cord and the transformer, remove the face plate cover and install a new LED light.

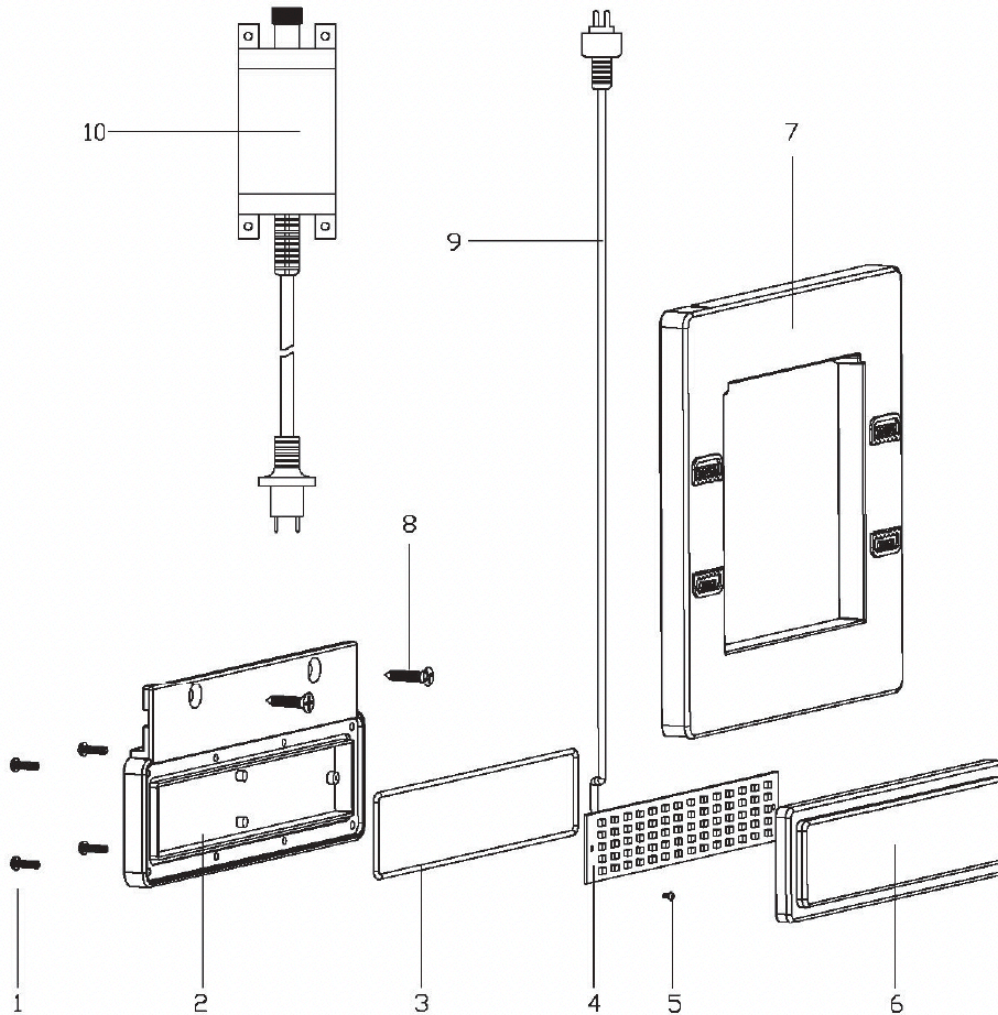
When the transformer failed:

Turn off the power, disconnect the cord and the transformer and install a new transformer.



01. It is common practice to drain the water level to a point below the LED light, for winterizing.
02. Turn off all electrical power supplying the light circuit at the main circuit breaker and disconnect the plug.
03. When not in use for a long time, please remove the face plate cover, take down the LED light and keep properly for later use.

Structure & parts



Ref. No.	Description	Quantity
1	ST3.5 pan head tapping screws	8
2	Lamp holder	1
3	O-Ring	1
4	LED light	1
5	ST2.2 pan head tapping screws	2
6	Transparent cover	1
7	Face plate	1
8	Countersunk head tapping screws	2
9	Cord	1
10	Transformer	1

Use only GoPool genuine replacement parts.

GoPool

Need parts or accessories ?
GoPool.com