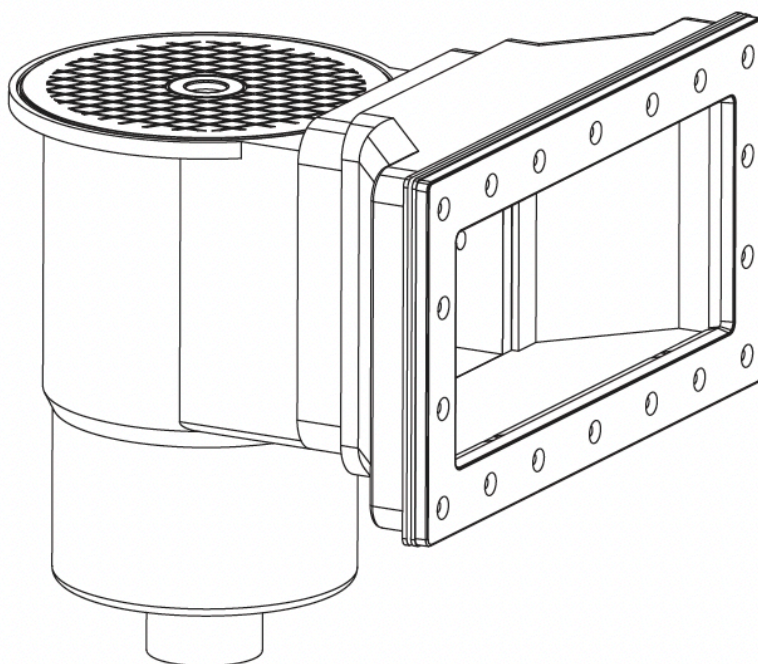


Wide Mouth Skimmer Kit

Owner's Manual



GP91002W | GP91002G



Scan to register your
product warranty

GoPool

Warranty registration

Thank you for choosing GoPool! Register your product today to activate your warranty and get quick, hassle-free support when you need it.



Scan to register your product warranty



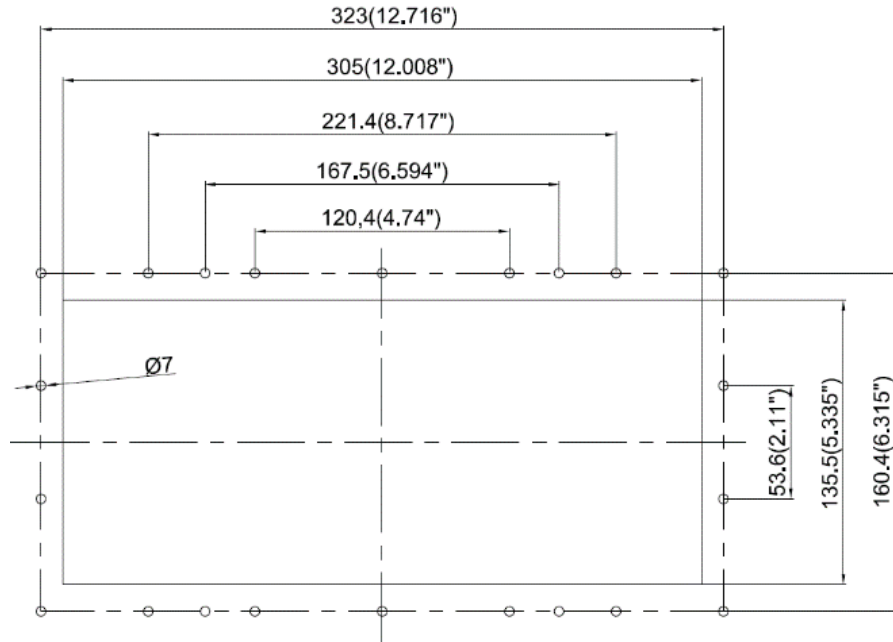
WARNING

This equipment must be installed and serviced according to the information found in this manual. Improper installation can create hazards which could result in property damage, serious injury or death. Improper installation will void the warranty.

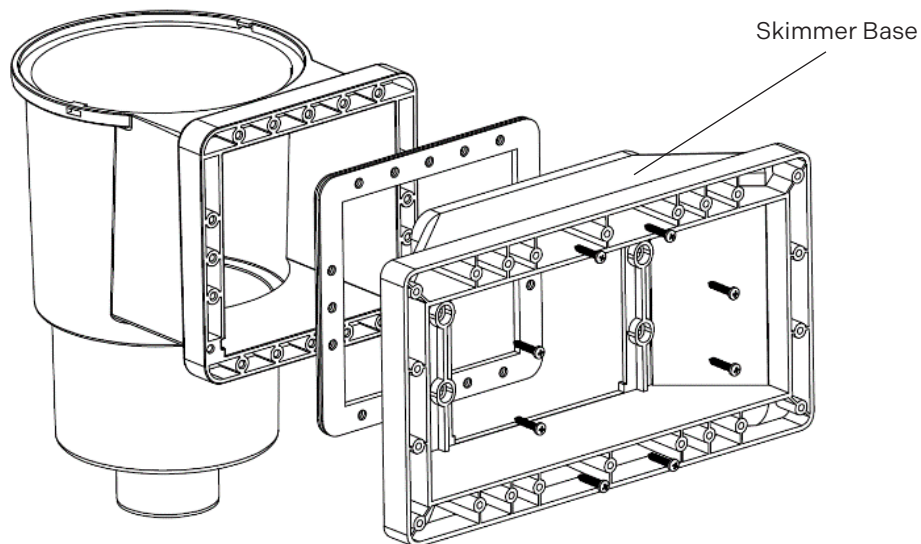
Table of contents

Installation.....	1
Structure & Parts	4

01. Remove the skimmer and its accessories from the box.
02. Make sure the holes size and position on the pool wall are matching skimmer requirements.

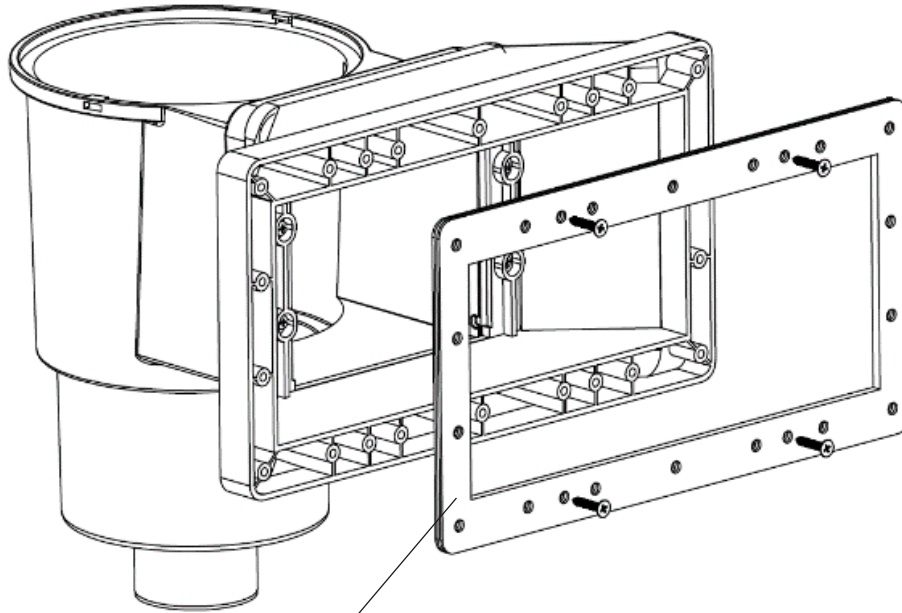


03. First place a single-layer square gasket into the small end groove of the skimmer holder, then put on the skimmer body and finally tighten with 8 pan head screws.



04. Place the double layers rectangle gasket at the opening of the pool wall. The holes position of the rectangle gasket has to be aligned with the hole positions of the pool wall.

05. Attach the skimmer body to the double layers rectangle gasket on the outer wall of the pool, and fix the skimmer body with 4 pan head screws.

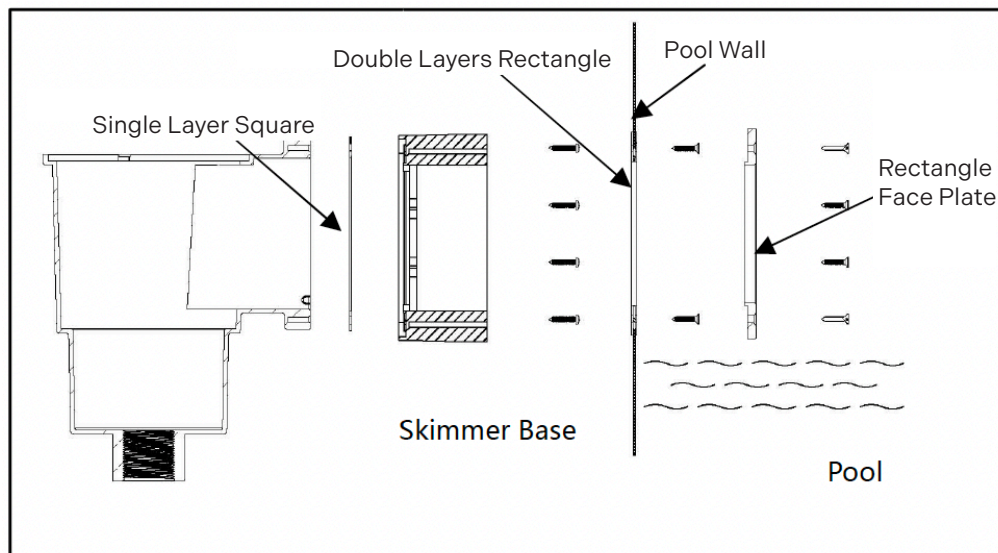


Double Layers Rectangle

06. Attach the rectangle plate to the double layers rectangle gasket on the inner wall of the pool, and then screw the countersunk head screw to tighten.

07. Finally, install other accessories like weir\cover\ vac plate.

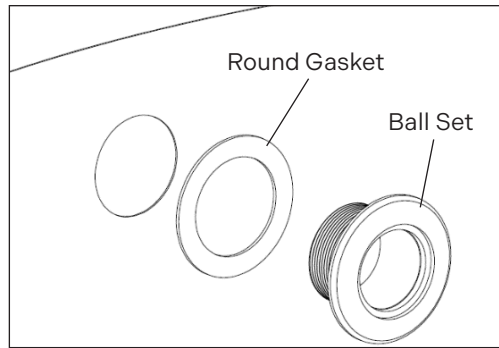
Installation cut view



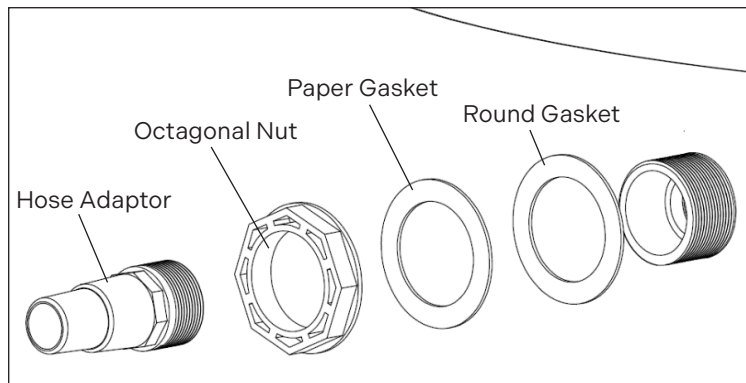
Procedure for Eyeball Parts

01. Cut a round hole in reflow connection position with a hole diameter of 61MM (2.4").

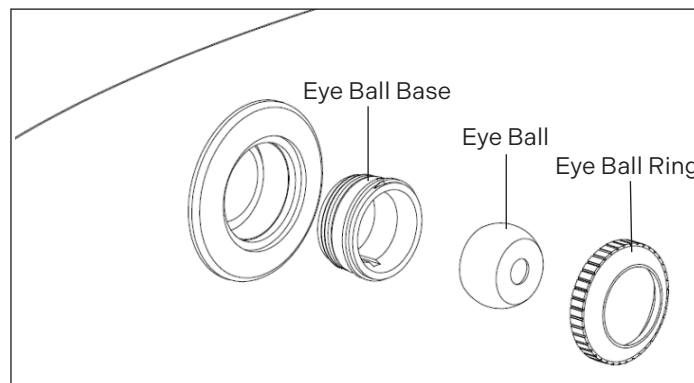
02. First put a round gasket on the ball set bush, then put it into the round hole on the wall of the pool, and the threaded end faces the outer wall.



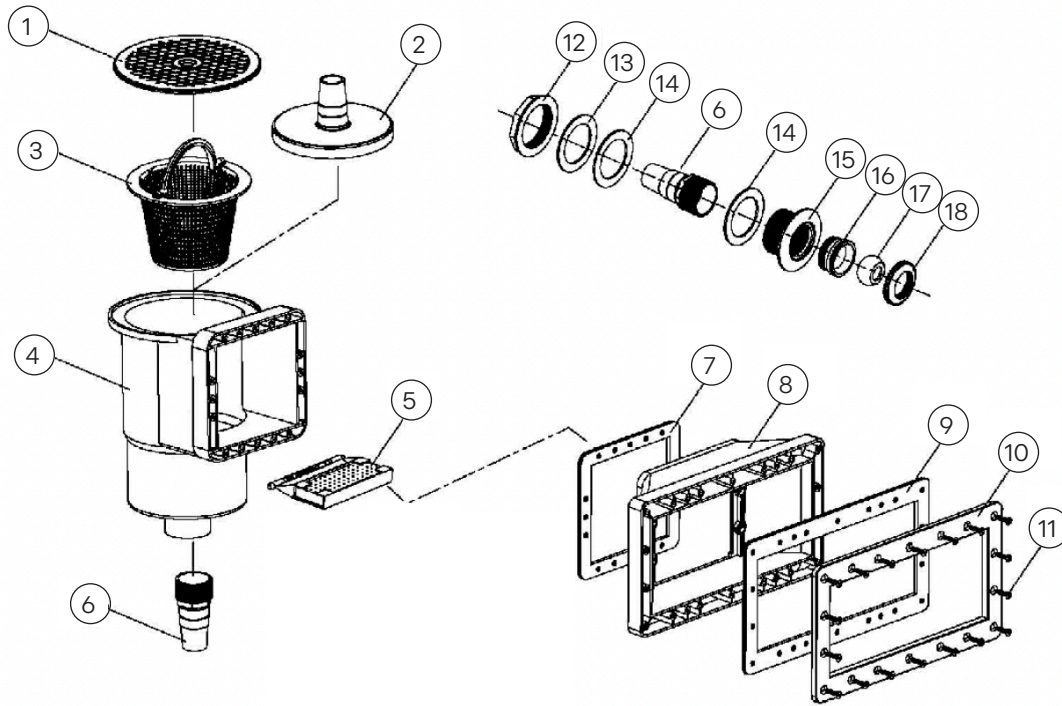
03. At the outer wall of the swimming pool, put the round gasket and paper gasket into the threaded end, tighten with an octagonal nut, and then wrap the raw tape around the joint and screw it into the ball set bush.



04. At the inner wall of the swimming pool, put the eye ball base and eye ball into the ball set bush, and tighten the eye ball ring.



Structure & parts



Ref. No.	Part No.	Description	Quantity
1	49101501	Cover	1
2	49101201	Vac Plate	1
3	49101601	Basket with Plastic Handle	1
4	49100101	Wall Skimmer Body	1
5	91017000	Weir	1
6	49101101	Hose Adaptor	3
7	49100911	Single Layer Square Gasket	1
8	49100301	Skimmer Base	2
9	49101801	Double Layers Rectangle Gasket	1
10	49100601	Rectangle Face Plate	1
11	5862056000	Screw Kit	1
12	49102101	Octagonal Nut	1
13	5435001087	Paper Gasket	1
14	49101001	Round Gasket	2
15	49101901	Ball Set Bush	1
16	49102201	Eye Ball Base	1
17	49100501	Eye Ball	1
18	49100502	Eye Ball Ring	1

Use only GoPool genuine replacement parts.

GoPool

Need parts or accessories ?
GoPool.com